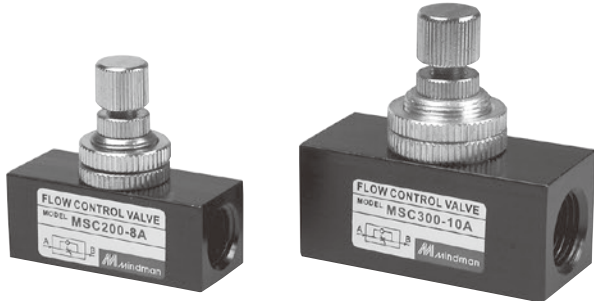
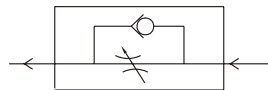


# MSC200 / 300 series

## FLOW CONTROL VALVE



### Symbol



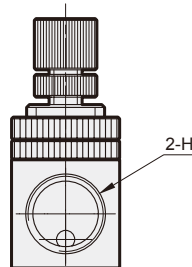
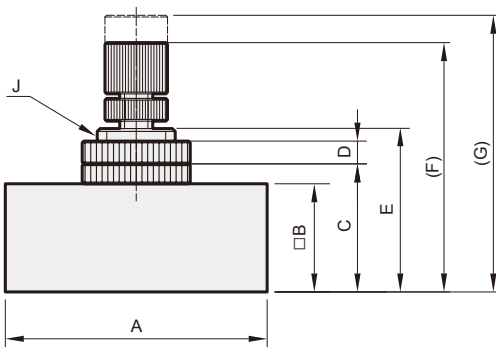
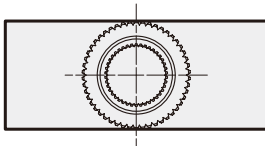
### Order example

**MSC200 — 6A — G**

MODEL  
MSC200  
MSC300

PORT SIZE  
6A: Rc1/8  
8A: Rc1/4  
10A: Rc3/8  
15A: Rc1/2

PORT THREAD  
Blank: Rc thread  
G: G thread  
NPT: NPT thread



Code Model	A	B	C	D	E	F	G	H	J
MSC200	6A	46	19	22.5	4	28.7	43.8	48.6	Rc1/8 M14×1.25
	8A	46	19	22.5	4	28.7	43.8	48.6	Rc1/4 M14×1.25
MSC300	10A	56	25.4	30	4	37	53.7	62.5	Rc3/8 M18×1.0
	15A	56	25.4	30	4	37	53.7	62.5	Rc1/2 M18×1.0

### Specification

Model	MSC200		MSC300		
	6A	8A	10A	15A	
Bore No.	6A	8A	10A	15A	
Port size	Rc1/8	Rc1/4	Rc3/8	Rc1/2	
Medium	Air				
Operating pressure range	0~1 MPa				
Proof pressure	1.5 MPa				
Ambient temperature	-5~+60°C (No freezing)				
Flow (ℓ/min)	Free flow	200	200	400	430
	Controlled flow	150	100	300	400
Number of needle rotations	8		9		
Weight	72 g		130 g		

\* Supply pressure: 0.5 MPa, Temperature: 20°C

### Flow features

